

www.3monkeez.com.au 

sales@3monkeez.com.au 

NSW/ACT/SA | OLD/NT | VIC | TAS | WA 

02 9627 6111 | 07 3881 0322 | 03 9357 6562 | 03 6344 7060 | 08 6305 0681

AN EVOLUTION IN DESIGN
COMMERCIAL TAPWARE SOLUTIONS

COMMERCIAL PRE-RINSE TAPWARE



Our range of pre rinse tapware offers a wide selection of durable and reliable products, suitable for a variety of commercial settings. Designed, assembled and tested in Australia to meet the demands of the toughest environments, making it the most reliable and high quality tapware solution available.

THE STAINLESS STEEL ADVANTAGE

To ensure all our tapware withstands the rigor of commercial application, our Pre Rinse units are manufactured completely from stainless steel. The clean, attractive appearance of stainless steel is ideally suited to modern interiors.

Constructing our taps from this premium material ensures that they will provide a lifetime of satisfaction and protect your health, as stainless steel:



Prevents the build-up of grime inside the tap, to keep waterways clean and ensure the quality and taste of the water is not distorted.



Provides a smooth surface, which is easy to clean and stops the build-up of bacteria.



Reduces the occurrence of dents and bends.



Has unique corrosion resistant properties, for a durable and strong product.



Our products are also environmentally friendly, with stainless steel being 100% recyclable.



Stainless steel braided hose with swivel end for user comfort and ease of use.



Adjustable wall bracket for easy fitting and installation.



Available with a 6" or 12" pot filler, with a 3 star 8LPM water rating.



Self closing trigger valve with stay open clip for prolonged use.

VARIABLE SPRAY GUN

All our Pre Rinse units are equipped with a unique variable spray gun. This allows the intensity of the spray to be adjusted to suit a wide range of situations. By simply twisting the end, this versatile spray gun can easily go from washing plates to rinsing vegetables. This design also includes a stay open clip for prolonged use.

Constructed completely from durable stainless steel, this spray gun will withstand the toughest and most rigorous environments. It prevents the build up of grime to protect your health and is easier to clean and maintain, to offer a lifetime of satisfaction.



AS/NZS 3718
Watermark
23145

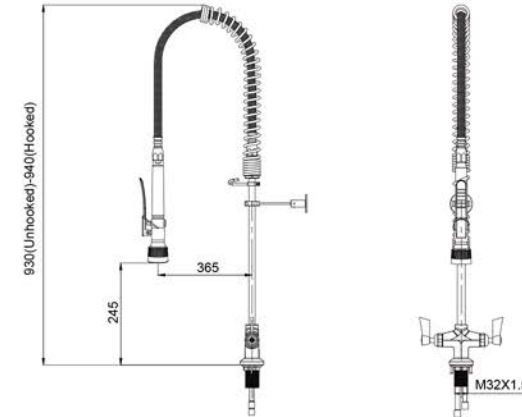
This product also features water saving technology, with a 6 star Wels rating. Making it the most cost efficient and effective spray valve on the market.

DUAL HOB MOUNT PRE RINSE

CODE: T-3M53007

This product has a dual hob tap body with inlet hoses, and ½ turn rising spindles. Equipped with our variable spray gun, it is water saving and cost efficient.

The overall height of this product is 940mm.

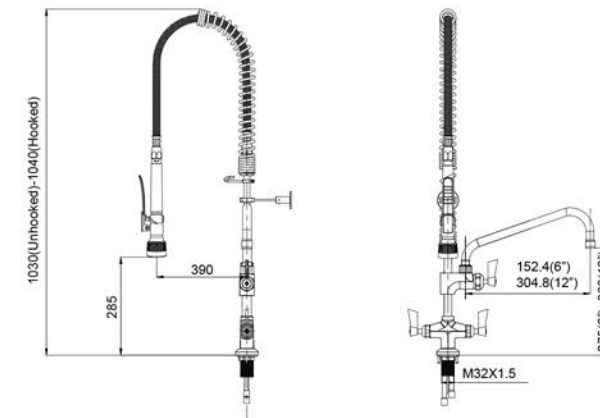


DUAL HOB MOUNT PRE RINSE WITH POT FILLER

CODE: T-3M53015 (6" Pot Filler) T-3M53058 (12" Pot Filler)

This product has a dual hob tap body with inlet hoses, and ½ turn rising spindles. Equipped with our variable spray gun, it is water saving and cost efficient.

This comes with a 6" or 12" pot filler, with a 3 star water rating that uses 8 litres of water per minute. The overall height of this product is 1040mm.

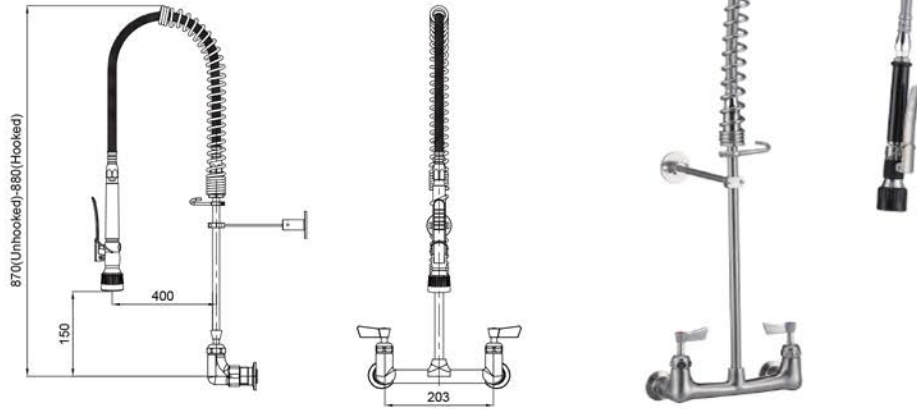


EXPOSED WALL MOUNTED PRE RINSE

CODE: T-3M53430

This model has an exposed mount tap body with spreaders and ½ turn rising spindles. Equipped with our variable spray gun, it is water saving and cost efficient.

The overall height of this product is 880mm.

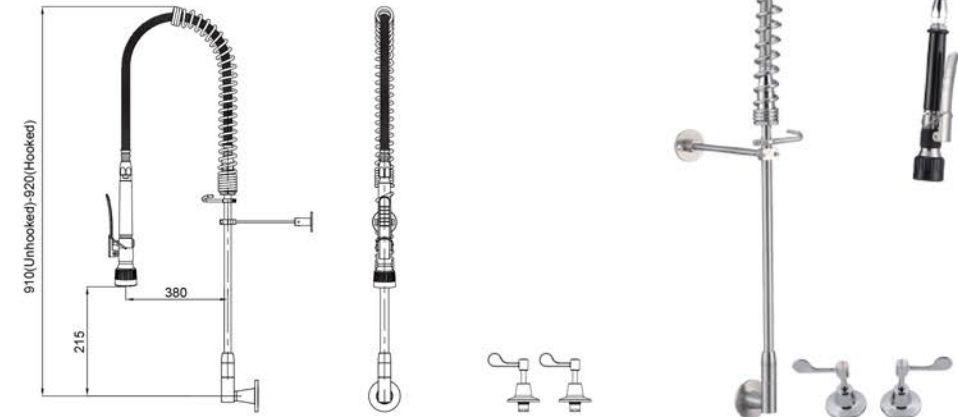


WALL STOPS AND ELBOW PRE RINSE

CODE: T-3M53810

This product has a wall elbow and ¼ turn ceramic disc stops to suit a concealed breach and is equipped with our water efficient variable spray gun in black.

The overall height of this product is 920mm.

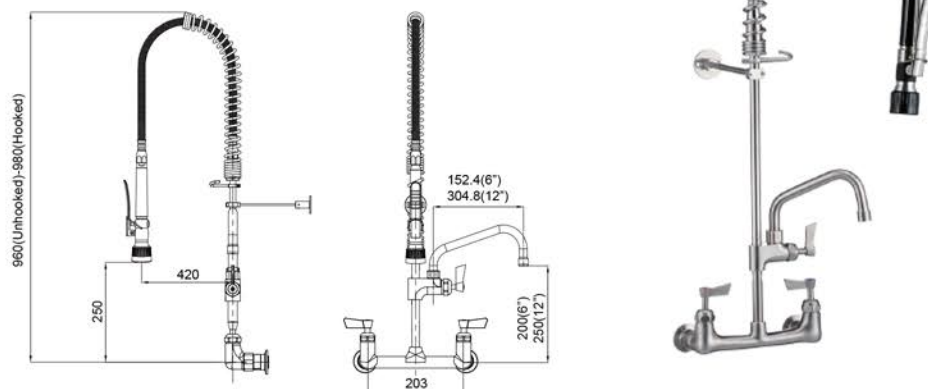


EXPOSED WALL MOUNTED PRE RINSE WITH POT FILLER

CODE: T-3M53449 (6" Pot Filler) T-3M53473 (12" Pot Filler)

This model has an exposed mount tap body with spreaders and ½ turn rising spindles. Equipped with our variable spray gun, it is water saving and cost efficient.

This product comes with either a 6", or 12" pot filler, that has a 3 star water rating and uses 8 litres per minute. The overall height of this product is 980mm.

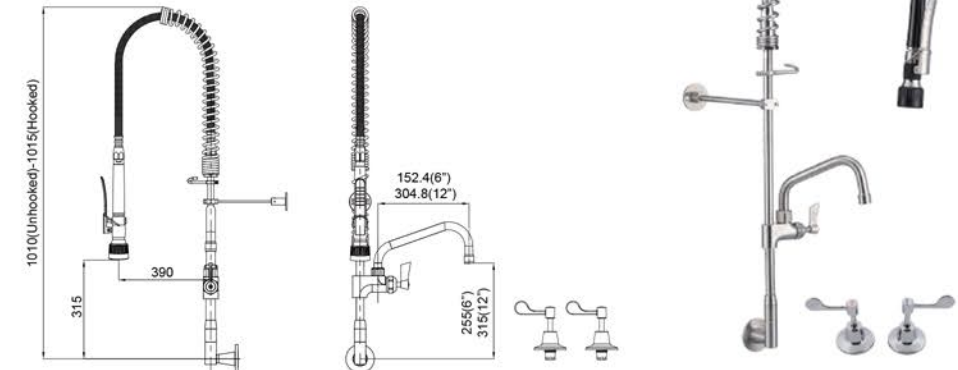


WALL STOPS AND ELBOW PRE RINSE WITH POT FILLER

CODE: T-3M53816 (6" Pot Filler) T-3M53822 (12" Pot Filler)

This product has a wall elbow and ¼ turn ceramic disc stops to suit a concealed breach and is equipped with our water efficient variable spray gun, available in black.

This product comes with either a 6" or 12" pot filler, that has a 3 star water rating and uses 8 litres per minute. The overall height of this product is 1015mm.



HOB MOUNT LINE RETRACTOR PRE RINSE

CODE: T-3M53500

This pre rinse unit comes complete with a line retractor, with a 1800mm cable.

It has a dual hob tap body with inlet hoses and 1/2 turn rising spindles.

It is equipped with our water efficient, variable spray gun in black.

Mounting height must maintain the minimum air gap.



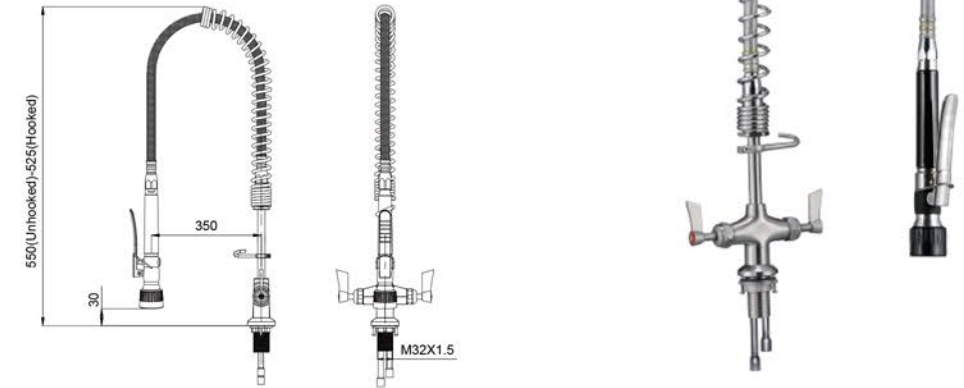
DUAL HOB MOUNT PRE RINSE – CAFÉ

CODE: T-3M53007-C

This compact, café pre rinse model, with an overall height of 550mm, is designed for commercial applications where saving space is a priority.

It includes a dual hob tap with inlet hoses and 1/2 turn rising spindles.

Equipped with our variable spray gun in black, it is cost effective and water saving.



HOB MOUNT LINE RETRACTOR PRE RINSE WITH POT FILLER

CODE: T-3M53506 (6" Pot Filler)
T-3M53512 (12" Pot Filler)

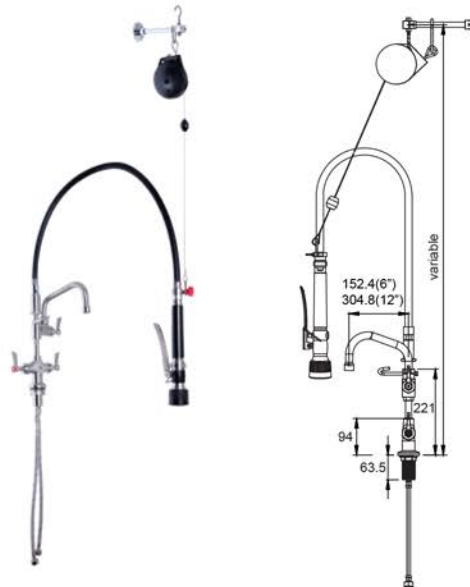
This pre rinse unit comes complete with a line retractor, with a 1800mm cable.

It has a dual hob tap body with inlet hoses and 1/2 turn rising spindles.

It is equipped with our water efficient, variable spray gun in black.

This product comes with either a 6" or 12" pot filler, that has a 3 star water rating and uses 8 litres per minute.

Mounting height must maintain the minimum air gap.

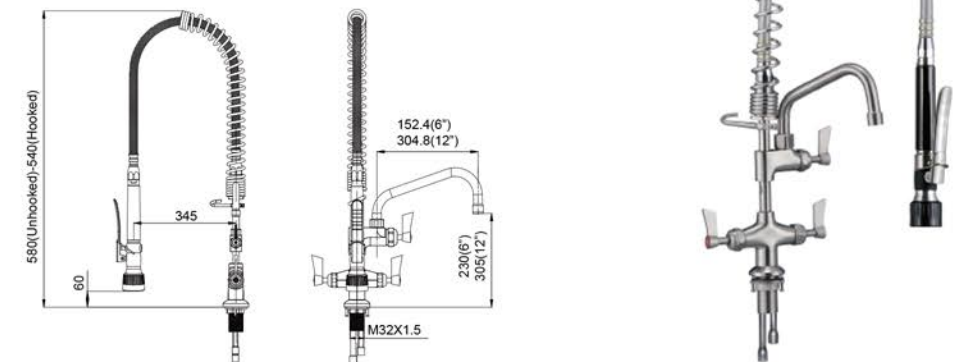


DUAL HOB MOUNT PRE RINSE-CAFÉ WITH POT FILLER

CODE: T-3M53015-C (6" Pot Filler) **T-3M53058-C** (12" Pot Filler)

This compact, café pre rinse model, with an overall height of 580mm, is designed for commercial applications where saving space is a priority. It includes a dual hob tap with inlet hoses and 1/2 turn rising spindles, and is fitted with either a 6" or 12" pot filler with a 3 star water rating.

Equipped with our variable spray gun in black, it is cost effective and water saving.

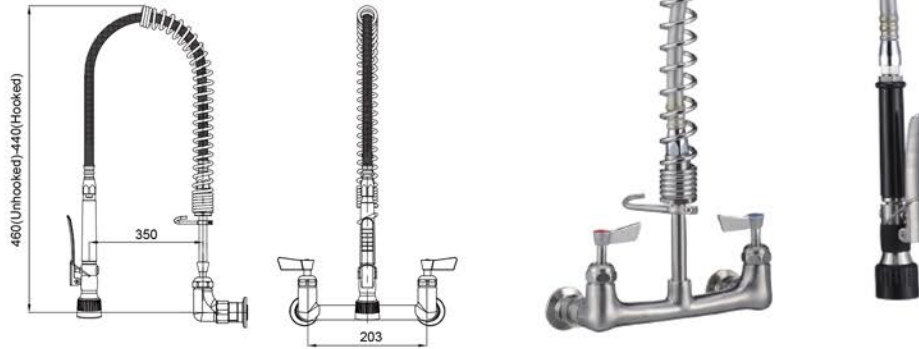


EXPOSED WALL MOUNT PRE RINSE - CAFÉ

CODE: T-3M53430-C

This compact café pre rinse has an overall height of 460mm. It is designed for commercial applications where saving space is a priority.

It has an exposed wall mount tap body with spreaders and ½ turn rising spindles. Equipped with our variable spray gun, it is water saving and cost efficient.



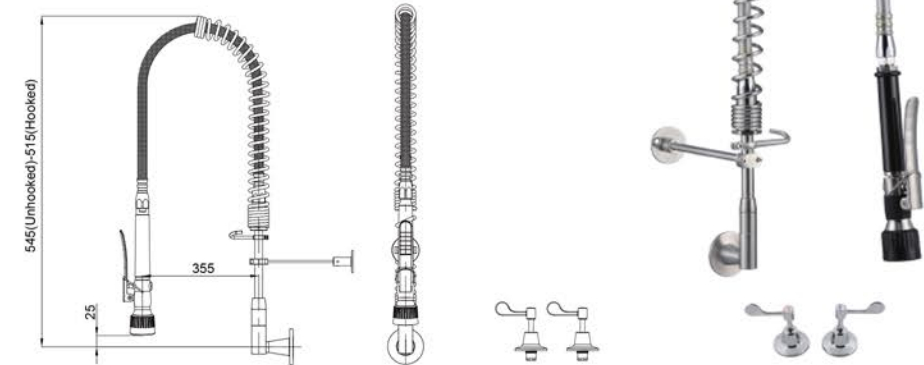
WALL STOPS AND ELBOW PRE RINSE - CAFÉ

CODE: T-3M53810-C

This compact café pre rinse has an overall height of 545mm. It is designed for commercial applications where saving space is a priority.

It has a wall elbow and ¼ turn ceramic disc wall stops to suit a concealed breach.

Equipped with our variable spray gun, it is water saving and cost efficient.



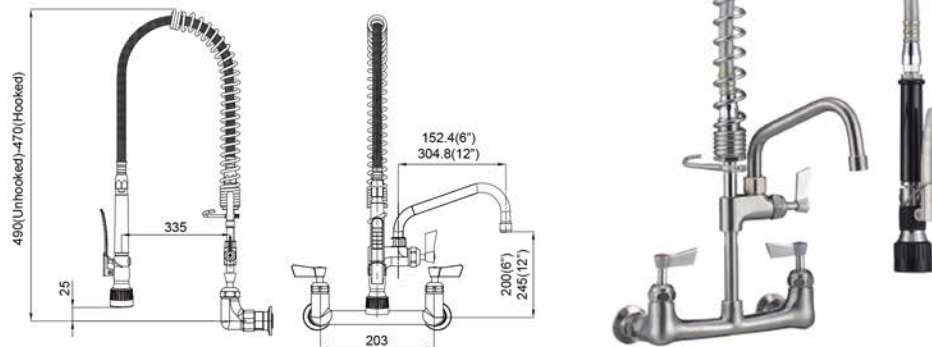
EXPOSED WALL MOUNT PRE RINSE WITH POT FILLER - CAFÉ

CODE: T-3M53449-C (6" Pot Filler) **T-3M53473-C** (12" Pot Filler)

This compact café pre rinse has an overall height of 490mm. It is designed for commercial applications where saving space is a priority.

It has an exposed wall mount tap body with spreaders and ½ turn rising spindles. It is also fitted with either a 6" or 12" pot filler with a 3 star water rating.

Equipped with our variable spray gun, it is water saving and cost efficient.



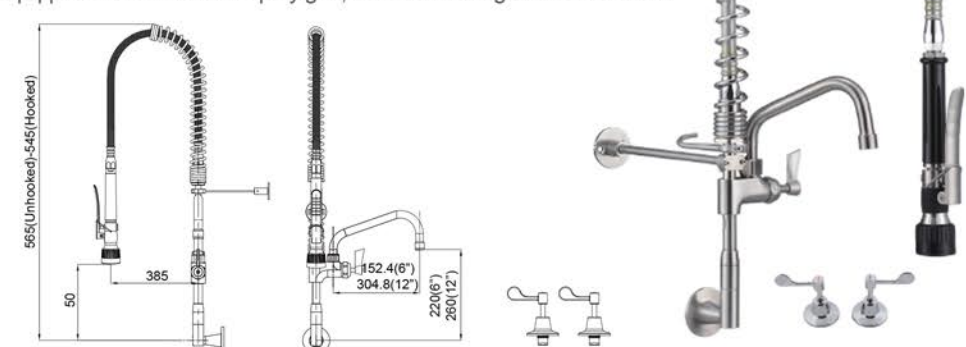
WALL STOPS AND ELBOW PRE RINSE WITH POT FILLER - CAFÉ

CODE: T-3M53816-C (6" Pot Filler) **T-3M53822-C** (12" Pot Filler)

This compact café pre rinse has an overall height of 565mm. It is designed for commercial applications where saving space is a priority.

It has a wall elbow and ¼ turn ceramic disc wall stops to suit a concealed breach.. It is also fitted with either a 6" or 12" pot filler with a 3 star water rating.

Equipped with our variable spray gun, it is water saving and cost efficient.



TAPWARE

Our wide range of tapware has been designed with innovation, versatility and durability in mind, to ensure we have a product to suit your next project. Manufactured from high quality materials, our products guarantee reliability even in the most rigorous commercial environments.



SENSOR TAPS

Our high quality and reliable sensor taps, offer a modern design that will suit a wide range of commercial environments.

The sophisticated double infrared sensor technology provides touch free operation that is hygienic, and ideally suited to public settings. The intelligent sensors can detect movement from a nominal range, between 102mm and 127mm.

The rinse time can be adjusted between 0.5 seconds and 20 minutes, or set to continue water flow until hands are removed. This provides an environmentally friendly, water efficient and cost saving option.

With a modular one piece construction, and mounting hardware included, these taps are guaranteed to be simple to install and easy to maintain.



HOB MOUNTED BATTERY POWERED INFRARED SENSOR TAP

CODE: T-GFHST-B

- This tap includes flexible hoses at 350mm long, and strainer with 0.5mm mesh size.
- A 6V Lithium CR-P2 commercial battery is also included.
- It has a working pressure range between 30kPa and 500kPa, and can withstand maximum water temperature of 80 degrees.
- Watermark and WELS approved.



HOB MOUNTED MAINS POWERED INFRARED SENSOR TAP

CODE: T-GFHST-M

- This tap includes flexible hoses at 350mm long, and strainer with a 0.5mm mesh size.
- It has a working pressure range between 30kPa and 500kPa, and can withstand maximum water temperature of 80 degrees.
- Watermark and WELS approved.

The modern, simplistic design of this wall mounted sensor tap means it can be seamlessly integrated into a wide range of commercial settings.

The sensor face, that features sophisticated sensor technology, can be easily mounted in the desired area. This touch free operation improves hygiene, and prevents the build up of bacteria.

The rinse time can be adjusted between 0.5 seconds to 20 minutes, or set to continue water flow until hands are removed. This provides an environmentally friendly, water efficient and cost saving option.

The intelligent sensors can detect movement within a distance of 50mm to 100mm, and the sensitivity of the sensor can be easily adjusted to suit the individual environment.

This environmentally friendly, water and cost saving, hygienic product is ideal for your next project.



WALL MOUNTED INFRARED SENSOR TAP

CODE: T-GFWST-B (Battery Power)
T-GFWST-M (Mains Power)

Features

- 6 star WELS rating
- 24 volt low power usage solenoid, to reduce power usage and costs
- 24V transformer
- Chrome plated fixed outlet 170mm
- Operating Pressure: 30 – 500kPa
- Maximum Temperature: 80 degrees

PUSH BUTTON TAPS

Our range of tapware, equipped with self closing technology, are the most practical and economical option for application in a range of public settings and educational facilities.

With a timed flow of 7 to 10 seconds, these taps help save water and minimise wastage.

Manufactured from durable chrome plated brass, this range of tapware is sure to withstand the most rigorous commercial environments and public settings.

Features

- 1/2" BSP Inlet
- Watermark and WELS Approved
- Maximum Working Pressure: 500kPa

PUSH BUTTON PILLAR TAP

CODE: PBPT



PUSH BUTTON BIB TAP

CODE: PBBT

LEVER HANDLE TAPS

Our range of tapware, equipped with self closing technology, are the most practical and economical option for application in public bathrooms and educational facilities.

With a timed flow of 7 to 10 seconds, these taps help save water and minimise wastage.

The lever handle ensure easy operation for children or the elderly.

Manufactured from durable chrome plated brass, this range of tapware is sure to withstand the most rigorous commercial environments and public settings.

Features

- Lever handle
- Timed flow between 7 and 10 seconds
- ½ BSP Inlet
- Watermark and WELS approved
- Maximum working pressure of 500kPa

LEVER HANDLE BIB TAP

| CODE: LBT



LEVER HANDLE PILLAR TAP

| CODE: LPT

MIXERS



The sleek, sophisticated and polished design of these basin mixers, make them ideal for your next bathroom project. The compact design of these taps, with a short spout, make them perfectly suited to bathroom basins.

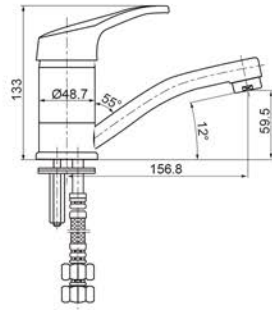
This versatile product also comes with the option of a lever handle. The extended handle is designed to provide greater ease of operation and makes it suitable for disabled basin applications.

Features and Benefits

- Swivel
- Includes Inlet Hoses: ½ FI BSP
- Watermark and WELS Approved
- Maximum Operating Temperature: 80 Degrees Celsius
- Recommended Working Pressure: 500kPa
- Available with or without a lever handle

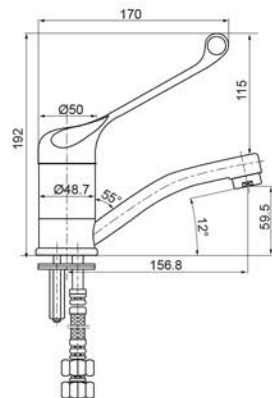
BASIN MIXER

CODE: T-TWRBMIX



BASIN MIXER WITH LEVER HANDLE

CODE: T-EMBMIX-LV



Our range of sink mixers, with their sleek and sophisticated design are ideal for a range of applications. Designed with a taller and longer spout to suit kitchen and laundry sinks.

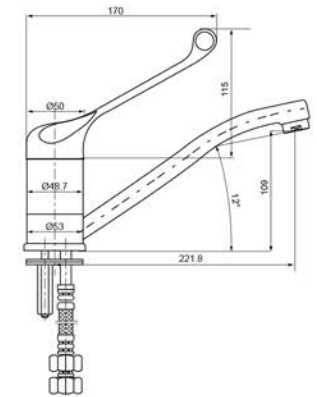
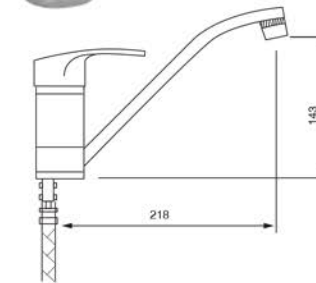
This versatile product also comes with the option of a lever handle. The extended handle is designed to provide greater ease of operation and makes it suitable for disabled basin applications.

Features and Benefits

- Swivel
- Includes Inlet Hoses: ½ FI BSP
- Watermark and WELS Approved
- Maximum Operating Temperature: 80 Degrees Celsius
- Recommended Working Pressure: 500kPa
- Available with or without a lever handle

SINK MIXER

CODE: T-TWRSMIX



SINK MIXER WITH LEVER HANDLE

CODE: T-EMSMIX-LV

BUBBLERS

OUR PREMIUM RANGE OF BUBBLERS, HAVE BEEN DESIGNED WITH DURABILITY AND VERSATILITY IN MIND.

AVAILABLE WITH THREE DIFFERENT HANDLE OPTIONS, THERE IS BOUND TO BE AN OPTION TO SUIT YOUR NEXT PROJECT.

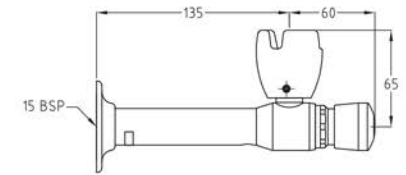
The unique rubber mouthguard, protects teeth while drinking and is resistant to bacterial build up. This makes our bubblers perfectly suited to a range of school environments and other public settings.



These premium quality bubblers have been designed to ensure there is an option to suit most applications. The straight design of these bubblers allows them to be easily mounted on a splashback.

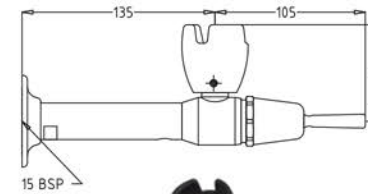
Features and Benefits

- Watermark and WELS approved
- Available with three different handle styles
- Self closing valves for water efficiency
- Chrome plated brass
- Vandal resistant



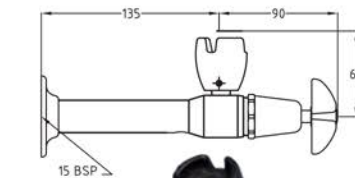
PUSH BUTTON

CODE: T-3MBUB-90P



LEVER HANDLE

CODE: T-3MBUB-90L



CAM ACTION

CODE: T-3MBUB-90C



PUSH BUTTON BUBBLER

CODE: PBB

Features

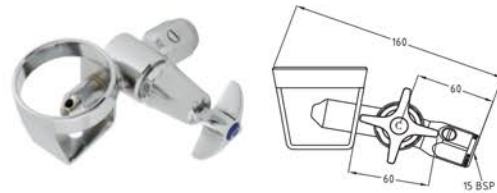
- Compact and Hygienic
- Ideal for Schools
- 1/2 MI BSP Inlet
- Watermark Approved
- Recommended Working Pressure: 300kPa

Our premium range of bubblers, have been designed with durability and versatility in mind. Available with three different handle options, there is bound to be an option to suit your next project.

These bubblers are manufactured completely from chrome plated brass and are designed at a 45 degree angle to be easily mounted in our wallsend pattern trough.

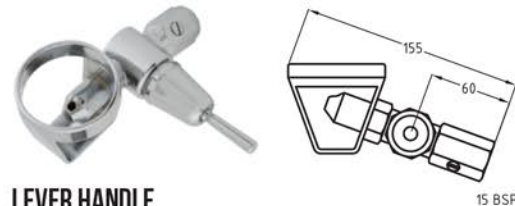
Features and Benefits

- Available with three different handle styles
- Watermark and WELS approved
- Self closing valves for water efficiency
- Ideally suited for our PT-7 troughs
- Vandal resistant



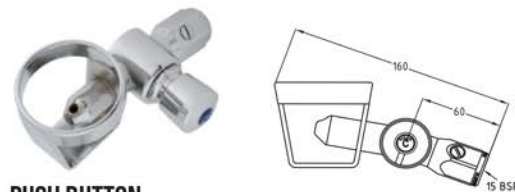
CAM ACTION

CODE: T-3MBUB-45C



LEVER HANDLE

CODE: T-3MBUB-45L



PUSH BUTTON

CODE: T-3MBUB-45P

VALVES AND SPECIALTY TAPWARE

Our foot and knee valves are perfect for any situation where ease of use and accessibility is a priority.

These foot and knee valves can be installed to offer hands free operation.



FOOT VALVE

CODE: P-FOOT VALVE



KNEE VALVE

CODE: P-31685



KNEE VALVE KIT

CODE: TP08045K



CLEANER'S SINK TAP SET

CODE: T-3MCSTS

Features and Benefits

- 225mL Spout
- Watermark and WELS Approved
- Anti Vandal Cross Handle Wall Stops



BASIN TWINNER

CODE: T-3MTWIN-B



SINK TWINNER

CODE: T-3MTWIN-S

Features and Benefits

- Swivel
- Lever Handle ¼ Turn Ceramic Disc
- Watermark and WELS Approved
- 80 Degree Max. Operating Temp.
- 700kPa Max. Working Pressure

LABORATORY AND COMMERCIAL USE TAPWARE

The robust and durable design of 3monkeez range of laboratory and commercial use tapware, sets them apart from standard mixers and taps.

Made from durable stainless steel these taps withstand the rigors of commercial environments, and application in schools, laboratories and restaurants.

Our pot and kettle fillers have been specifically designed with accessibility and ease of use in mind.

With an extended spout it is ideal for filling large pots in commercial environments, and is easily concealed when not in use.

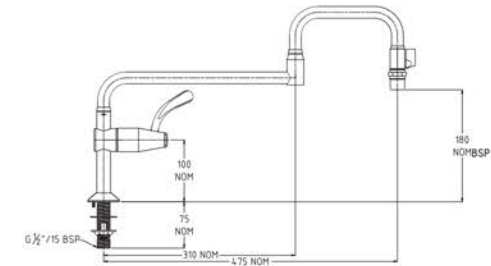
Features and Benefits

- Double swivel outlet and stop
- Hob mount – ½" MI BSP inlet
- Wall mount – ½" FI BSP Inlet
- Watermark approved



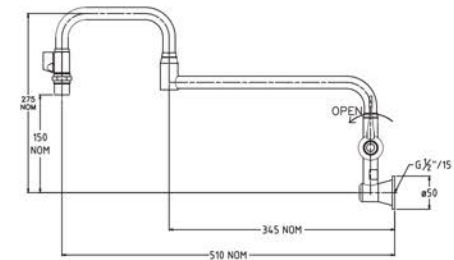
POT AND KETTLE FILLER HOB MOUNT

CODE:T-3MPKH



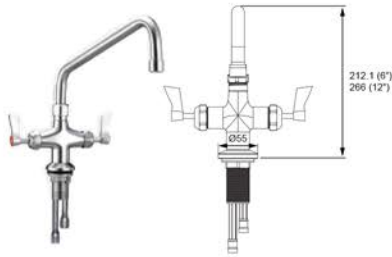
POT AND KETTLE FILLER WALL MOUNT

CODE: T-3MPKW



Features and Benefits

- Available with 6" or 12" Swivel Spout
- Watermark and WELS Approved
- Maximum Operating Temperature: 80 Degrees Celsius
- Working Pressure Range: 150kPa to 1000kPa



DUAL HOB MOUNT TAP BODY AND SPOUT

CODE: T-3MDH06 (6" Pot Filler)
T-3MDH12 (12" Pot Filler)



EXPOSED WALL TAP BODY AND SPOUT

CODE: T-3MEW06 (6" Pot Filler)
T-3MEW12 (12" Pot Filler)



WALL ELBOW, WALL TOP ASSEMBLIES AND SPOUT

CODE: T-3MCW06 (6" Pot Filler)
T-3MCW12 (12" Pot Filler)



WALL ELBOW AND SPOUT

CODE: T-3MWE06 (6" Pot Filler)
T-3MWE12 (12" Pot Filler)



HOB MOUNT, BASIN TOP ASSEMBLIES AND SPOUT

CODE: T-3MHS06 (6" Pot Filler)
T-3MHS12 (12" Pot Filler)



HOB MOUNT AND SPOUT

CODE: T-3MHO06 (6" Pot Filler)
T-3MHO12 (12" Pot Filler)

REELS AND TRIGGER VALVES

This hot wash reel and trigger valve is ideally suited for use in commercial kitchens.

With a maximum working temperature of 85 degrees this hose will ensure that surfaces are stripped of any build up of grime and bacteria.

Features and Benefits

- Reel Hose is 12mm Internal Diameter x 12m Length
- Reel has 1/2" FI BSP Inlet
- Reel has 1/2" MI BSP Outlet
- Trigger Valve has 1/2" FI BSP Inlet
- Maximum working pressure: 200psi (1400kPa)
- Watermarked

HOT WASH REEL AND TRIGGER VALVE

CODE: T-TWHWR1215SG (Hot Wash Reel With Trigger Valve)
T-TWHWR1215 (Hot Wash Reel Only)



TRIGGER VALVE

CODE: T-TWSGV65SVL

