



PRODUCT CODE:

T-3M53015 (6" pot filler)

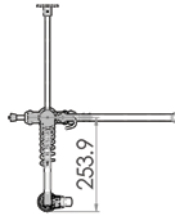
T-3M53058 (12" pot filler)

The 3monkeez® range of tapware is perfectly suited for commercial kitchens, schools, canteens, bars, cafés, food processing facilities or any other commercial setting. The range includes Pre-Rinse Units, Mixers, Hot Wash Reels, Sensor Taps, Bubblers, Pillar, Bib Taps and more.

FEATURES & BENEFITS:

- Stainless steel construction
- Dual hob tap body includes inlet hoses - 1/2 turn rising spindles
- 6" or 12" pot filler - 3 star 8LPM
- Self closing high water efficiency with a 6 star 4LPM VARIABLE trigger valve
- Stay open clip for prolonged use
- Fully assembled and bench tested
- 24 month warranty

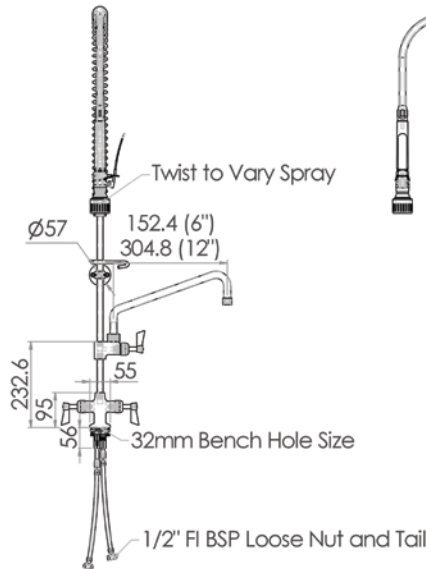
Top



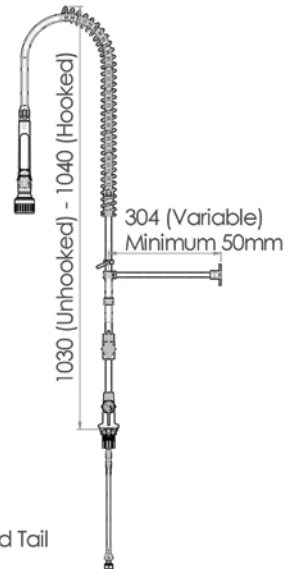
Working pressure range 150 – 1000kPa

Maximum hot water temperature – 80°C

Front



Side



Details accurate at time of print. Whilst all care has been taken in compiling this information, designs & dimensions shown are indicative only and should not be relied upon without prior approval.

