



# UCGO45APD GOURMET SERIES UNDERCOUNTER WITH PUMP OUT DRAIN

**COAST** ICE & COLD SOLUTIONS



UCGO45APD

## Features

- WITH PUMP OUT DRAIN
- Maximum drain height 1 metre.
- Maximum drain length 4 metres.
- 2 metres of drain hose included in installation kit
- Produces clear, long-lasting gourmet cubes.
- Space-saving 387 mm wide under-counter design.
- Produces up to 20.5 kg of ice per day.
- Optional leg kit available.
- Constructed from sturdy, corrosion-resistant stainless steel and fingerprint-proof plastic.
- Ideal for any under-counter or bar application.
- Contemporary, elegant design.
- Environmentally friendly R134A refrigerant.
- Easily adjust the thickness of your ice from the front of the machine!

## Space-Saving Solutions

- Front air discharge design for compact spaces.
- Low profile top saves counter space.
- Stores up to 8 kg of ice.
- Easy front access to ice.
- Removable Air Filter.

## Options & Accessories

WATER FILTERS		
Ice Machine Model	Manifold	
	System	Replacement
UCGO45APD	CD1oB	CD1o0B

## Ice Maker Warranty

Every Ice-O-Matic ice maker is backed by a warranty that provides both parts and labor coverage.

- Two years Parts and Labour

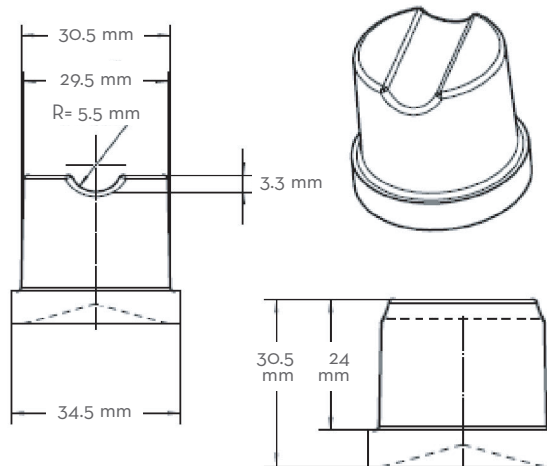
## Ice Form



GOURMET ICE

### GOURMET ICE DIMENSIONS

Height	30.5 mm
Diameter	34.25 mm

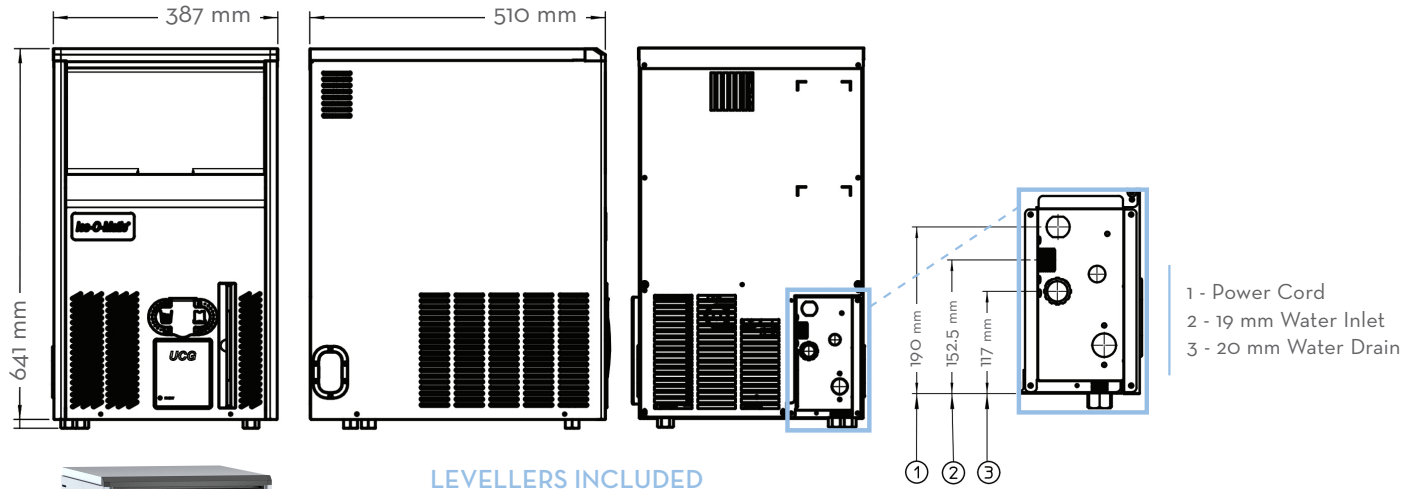


UCGO45APD GOURMET SERIES UNDERCOUNTER WITH PUMP OUT DRAIN



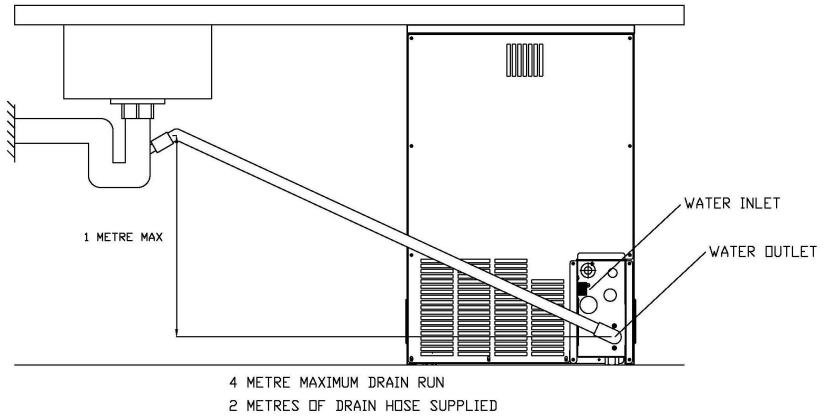
# UCGO45APD GOURMET SERIES UNDERCOUNTER WITH PUMP OUT DRAIN

UCGO45APD GOURMET SERIES UNDERCOUNTER WITH PUMP OUT DRAIN



### LEVELLERS INCLUDED

Do Not Extend - 15 mm



### Operating Requirements

	MINIMUM	MAXIMUM
	50 Hz	
Ambient Temp. Range Air	10°C	43°C
Water Temp.	5°C	38°C
Water Pressure	1 BAR	5 BAR
Electrical Voltage	230V/50Hz/1ph	

### Dimensions

ALL MODELS	
W x D x H (mm)	387 x 510 x 656 on levellers
Optional Leg Kit 150mm high	

### Specifications

Model Number	Cond. Unit	Ice Production per 24hrs	Ice Production per 24hrs	Ice Production per 24hrs	Storage Capacity (kg)	Water Consumption (ltr/hr)	kWH Used per 45 kg of Ice @ 32°C air/ 21°C water	Voltage Characteristics
		21°C air/10°C water (kg)	32°C air/21°C water (kg)	10°C air/10°C water (kg)				
UCGO45APD	Air	20.5	18	25	8	3	17.8	230/50/1

NOTES:  
 Approx. Shipping Weight (kg): UCGO45APD (37)  
 Refrigerant Type: R134A  
 All specifications and performance data are subject to normal manufacturing variances.

Ice-O-Matic reserves the right to change the specifications at any time without obligation. Certifications may vary depending on country of origin.