



# K+ SERIES: KOV-SB2-GRP3

## Two Burner Oven With 300mm Grill Plate

Project: \_\_\_\_\_ Item: \_\_\_\_\_

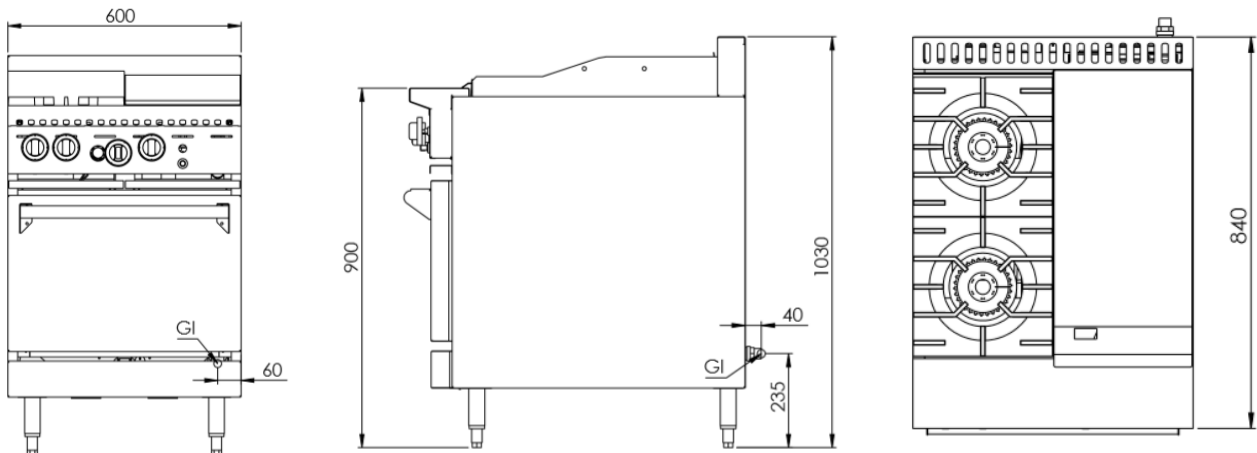


KOV-SB2-GRP3

### Standard Features:

- Stainless Steel Frame
  - Heavy duty Cast Iron Trivet
  - Solid Steel Base Plate allows for even heat distribution
  - Heavy duty fully insulated dropdown door
  - 29 MJ Oven Burner
  - Multi-setting gas valve as standard allowing for greater regulation of flame setting
  - Powerful 30 Mj cooktop section burner comes in two pieces for easy cleaning
  - Easy to clean fat spillage tray
  - Front access to all components for ease of service and adjustment
  - Heavy Duty Mild Steel Plate 12mm Thick (GRP section)
  - Internal Oven Dimensions: 630mm L x 485mm W x 290mm H (Height is measured from lowest rack to the top panel)
  - 12-month warranty
- Options:**
- Natural or LP Gas
  - BTFF- complete with flame failure
  - BTPTO – complete with pilot take of only

### Specifications:



MODEL	LENGTH (mm)	DEPTH (mm)	HEIGHT (mm)	GAS CONSUMPTION (Mj/h)	
				NG	LPG
KOV-SB2-GRP3	600	840	1030	111	110

### Connections:

GAS (GI) (BSP)	SUPPLY PRESSURE (kPa)	
	NG	LPG
¾" (M)	1.0	2.6

- Regulator is included in the unit
- **Must** be installed by an authorised installer

**Due to ongoing Product Development, Product Improvement and Research, B+S Commercial Kitchens reserves the right to alter specification without notice.**



B+S Commercial Kitchens  
 57 Plateau Road Reservoir VIC 3073 Australia | +61 3 9469 4754  
 info@bscommercialkitchens.com | www.bscommercialkitchens.com

